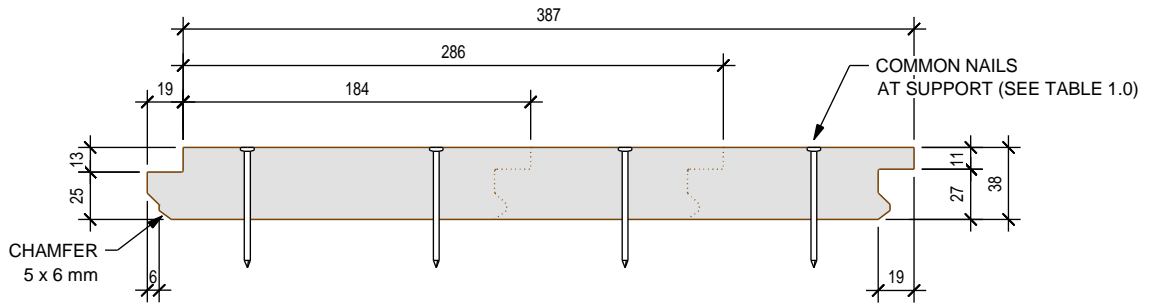


DECKING ATTACHMENT DETAIL

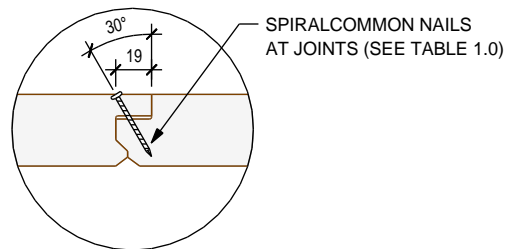
REFER TO TABLE FOR MINIMUM SPACINGS.

DECKING ATTACHMENT									
Zone	Decking	Common steel wire nails at support ¹					Spiral common nails at joints ¹		
	Thickness (mm)	Dia. (po)	Lenght (po)	Spacing (mm)			Dia. ² (po)	Lenght (po)	Spacing (mm)
				A	B	C			D
	38	Ø0,128	2 1/2	@	@	@		1 1/2	@
	44	Ø0,144	3	@	@	@		1 3/4	@
	54	Ø0,160	3 1/2	@	@	@		2 1/4	@
	64	Ø0,192	4	@	@	@		2 1/2	@
	89	Ø0,232	5	@	@	@		3 1/2	@

NOTES:
 1. NAILS MUST BE HOT DIP GALVANIZED.
 2. NON STANDARD PRODUCT, SPECIFY DIAMETER.



A. SECTION VIEW AT SUPPORT



B. NAILS BETWEEN SUPPORTS AT JOINT

R01 **38 mm DECKING**
38 mm x (184, 286 or 387 mm)

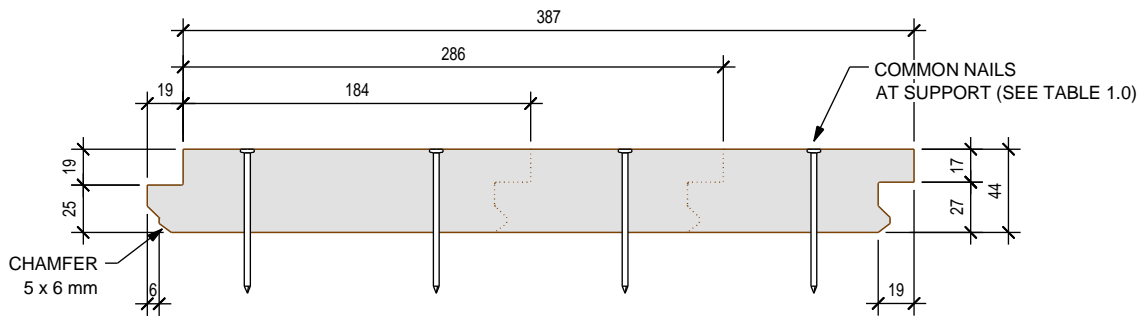
Grade	Width	Max lenght suggested
20F-ES/CPG	184 mm (7-1/4" in)	18,28 m (60 ft)
20F-ES/CPG	286 mm (11-1/4" in)	12,19 m (40 ft)
20F-ES/CPG	387 mm (15-1/4" in)	9,14 m (30 ft)



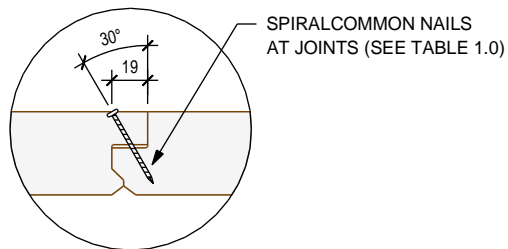
Description
**38 mm DECKING
TYPICAL DETAIL**

Drawn by: G.L.
Verified by: J.F.
Date: 2013-01-01
Revision: 0

Detail No
R01



A. SECTION VIEW AT SUPPORT



B. NAILS BETWEEN SUPPORTS AT JOINT

R02 **44 mm DECKING**
44 mm x (184, 286 or 387 mm)

Grade	Width	Max length suggested
20F-ES/CPG	184 mm (7-1/4" in)	18,28 m (60 ft)
20F-ES/CPG	286 mm (11-1/4" in)	12,19 m (40 ft)
20F-ES/CPG	387 mm (15-1/4" in)	9,14 m (30 ft)



Tel.: 514.871.8526

Description

**44 mm DECKING
TYPICAL DETAIL**

Drawn by: G.L.

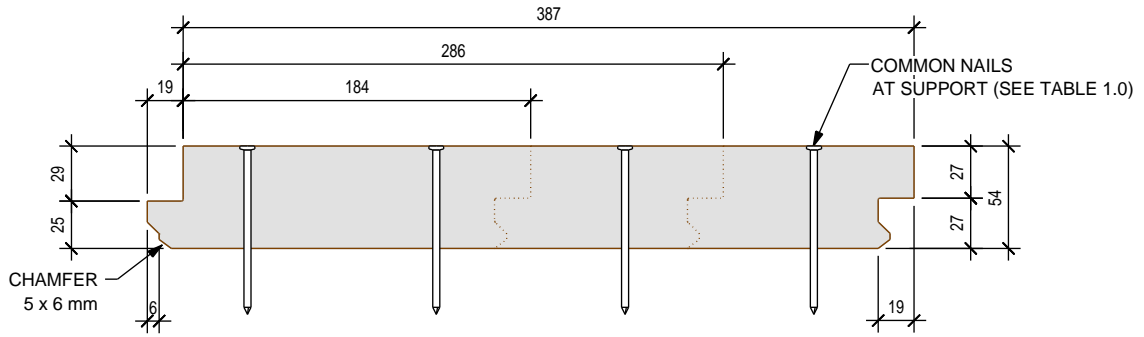
Verified by: J.F.

Date: 2013-01-01

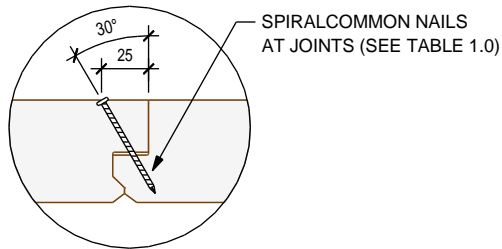
Revision: 0

Detail No

R02



A. SECTION VIEW AT SUPPORT



B. NAILS BETWEEN SUPPORTS AT JOINT

R03 54 mm DECKING
54 mm x (184, 286 or 387 mm)

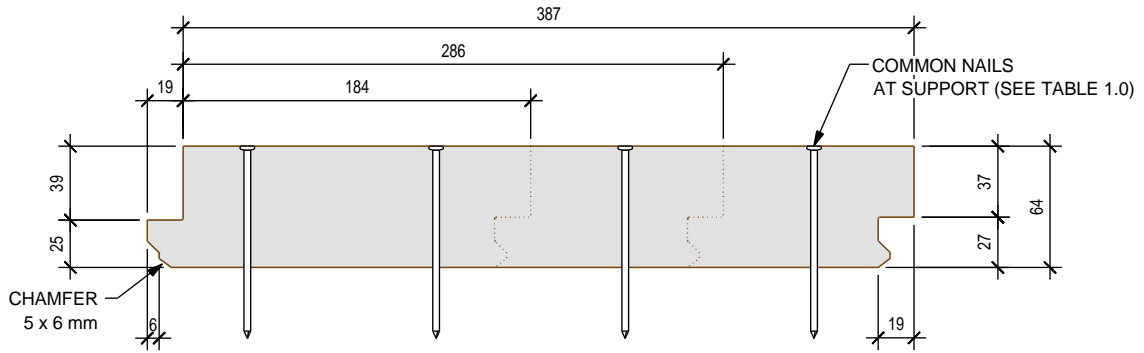
Grade	Width	Max lenght suggested
20F-ES/CPG	184 mm (7-1/4" in)	18,28 m (60 ft)
20F-ES/CPG	286 mm (11-1/4" in)	12,19 m (40 ft)
20F-ES/CPG	387 mm (15-1/4" in)	9,14 m (30 ft)



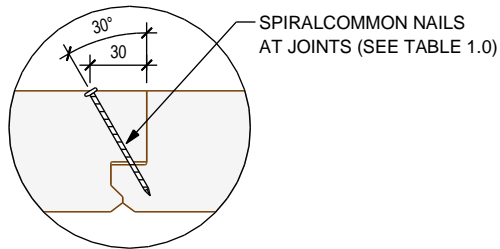
Description
**54 mm DECKING
TYPICAL DETAIL**

Drawn by: G.L.
Verified by: J.F.
Date: 2013-01-01
Revision: 0

Detail No
R03



A. SECTION VIEW AT SUPPORT



B. NAILS BETWEEN SUPPORTS AT JOINT

R04 64 mm DECKING
64 mm x (184, 286 or 387 mm)

Grade	Width	Max length suggested
20F-ES/CPG	184 mm (7-1/4" in)	18,28 m (60 ft)
20F-ES/CPG	286 mm (11-1/4" in)	12,19 m (40 ft)
20F-ES/CPG	387 mm (15-1/4" in)	9,14 m (30 ft)



Tel.: 514.871.8526

Description

64 mm DECKING
TYPICAL DETAIL

Drawn by: G.L.

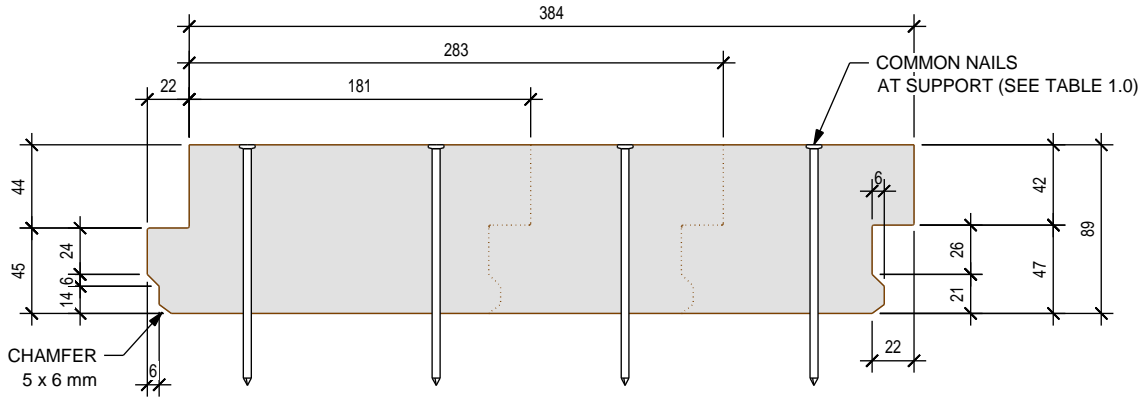
Verified by: J.F.

Date: 2013-01-01

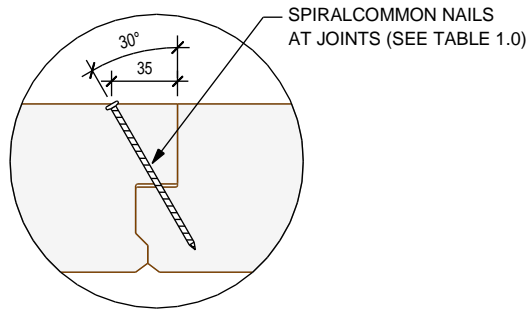
Revision: 0

Detail No

R04



A. SECTION VIEW AT SUPPORT



B. NAILS BETWEEN SUPPORTS AT JOINT

R05 89 mm DECKING
89 mm x (181, 282 or 384 mm)

Grade	Width	Max length suggested
20F-ES/CPG	181 mm (7-1/8" in)	18,28 m (60 ft)
20F-ES/CPG	283 mm (11-1/8" in)	12,19 m (40 ft)
20F-ES/CPG	384 mm (15-1/8" in)	9,14 m (30 ft)



Tel.: 514.871.8526

Description

89 mm DECKING
TYPICAL DETAIL

Drawn by: G.L.

Verified by: J.F.

Date: 2013-01-01

Revision: 0

Detail No

R05