

Tel.: 514.871.8526

Description

CONNECTION DETAILS FOR
CROSS-LAMINATED TIMBER PANELS

Draftman: DPC

Checker: CPD

Date: 2013-02-01

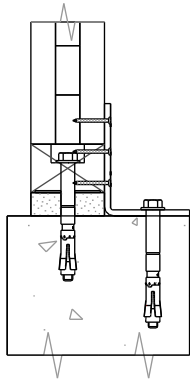
Revision: 0

Drawing Number

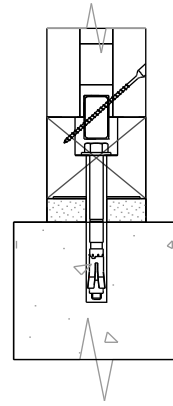
X01

WALL-FONDATION DETAILS

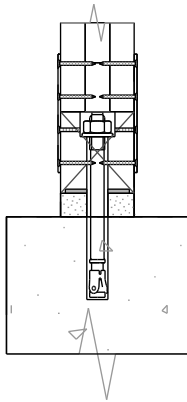
ELEVATION VIEWS



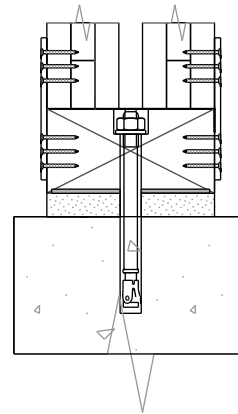
1a WALL ON FONDATION WITH STEEL BRACKETS AND SILL PLATE



1b WALL ON FONDATION WITH TONGUE AND GROOVE AND SILL PLATE



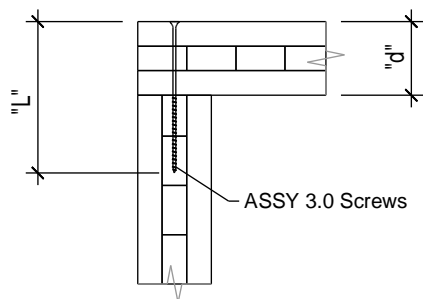
1c WALL ON FONDATION WITH STEEL PLATES AND SILL PLATE



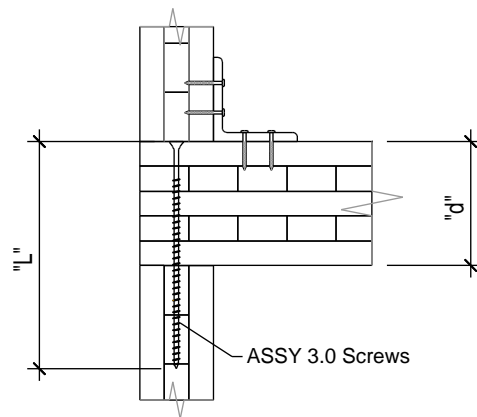
1d DOUBLE WALL ON FONDATION WITH STEEL PLATES AND SILL PLATE

WALL-FLOOR/ROOF DETAILS

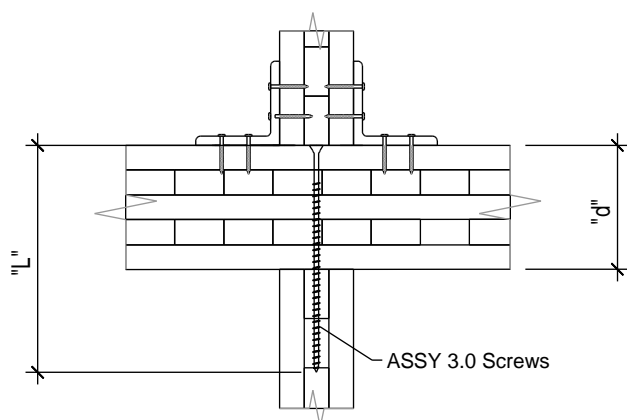
PLAN VIEWS



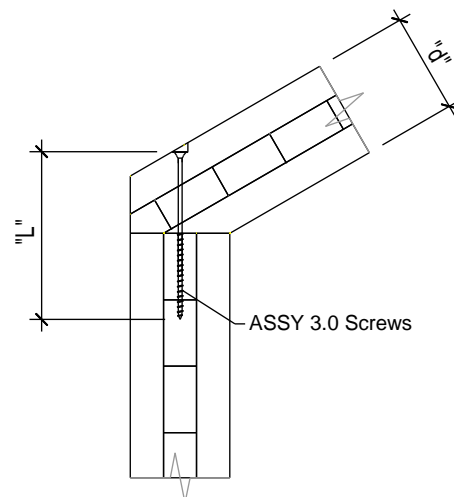
1e FLOOR OR ROOF ON WALL



1f WALLS-FLOOR JUNCTION



1g INTERIOR WALLS-FLOOR JUNCTION

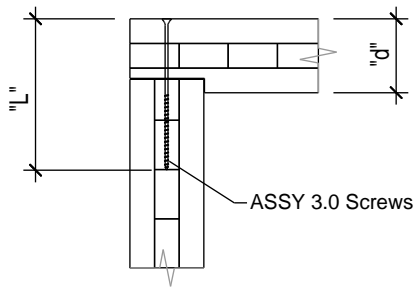


1h ROOF ON WALL

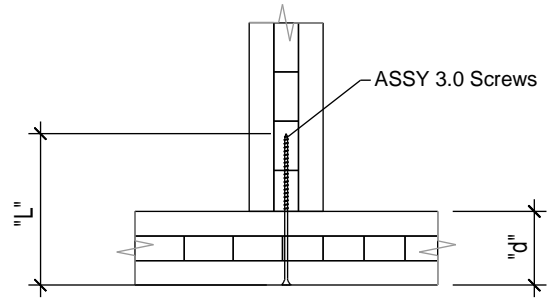
PANEL ATTACHMENT				
X-LAM PANEL			ASSY 3.0 Screws	
X-LAM Product	Number of ply	Thickness (mm) "d"	Dia. (mm)	Length (mm) "L"
78-3s	3	78	Ø8	160
105-3s	3	105	Ø8	180
131-5s	5	131	Ø8	240
175-5s	5	175	Ø8	280
208-7s	7	220	Ø8	320
244-7sl	7	244	Ø8	340
314-9sl	9	314	Ø8	400

WALL-WALL DETAILS

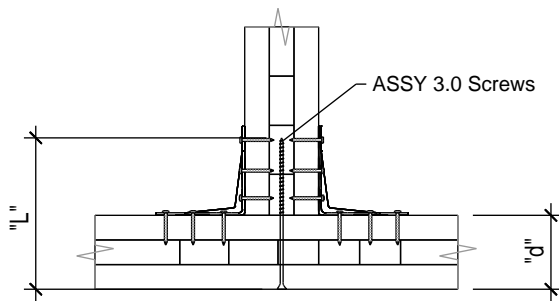
PLAN VIEWS



1j CORNER WALLS



1k "T" WALLS

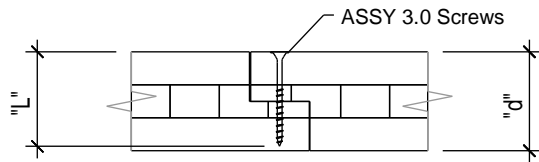


1m "T" WALLS WITH BRACKETS

PANEL ATTACHMENT				
X-LAM PANEL			ASSY 3.0 Screws	
X-LAM Product	Number of ply	Thickness (mm) "d"	Dia. (mm)	Length (mm) "L"
78-3s	3	78	Ø8	160
105-3s	3	105	Ø8	180

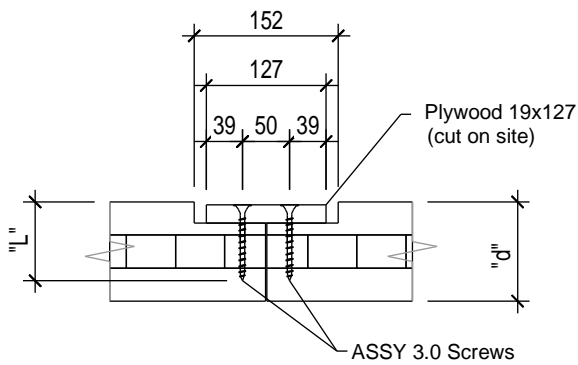
PANEL-PANEL DETAILS

ELEVATION VIEWS



1n HALF-LAPPED JOINT

PANEL ATTACHMENT				
X-LAM PANEL			ASSY 3.0 Screws	
X-LAM Product	Number of ply	Thickness (mm) "d"	Dia. (mm)	Length (mm) "L"
78-3s	3	78	Ø6	70
105-3s	3	105	Ø6	100
131-5s	5	131	Ø6	120
175-5s	5	175	Ø6	160
208-7s	7	220	Ø6	180
244-7sl	7	244	Ø6	240
314-9sl	9	314	Ø6	300



1p SINGLE SURFACE SPLINE

PANEL ATTACHMENT				
X-LAM PANEL			ASSY 3.0 Screws	
X-LAM Product	Number of ply	Thickness (mm) "d"	Dia. (mm)	Length (mm) "L"
78-3s	3	78	Ø6	70
105-3s	3	105	Ø6	80